

TIMON 2200 - Electrical Indicating

Application

Electrical indicating instruments for use in connection with temperature, pressure and level transmitters.

Construction

Heavy duty suspended rotating coil instrument of high efficiency in electroplated steel casing. Slim bezel in black plastic. Casing and bezel according to DIN 43700 and DIN 43718.

The instrument is fitted with built-in electronic fuse which automatically switches off if current exceeds 35V.



TIMON 2200

For flush mounting

Accuracy

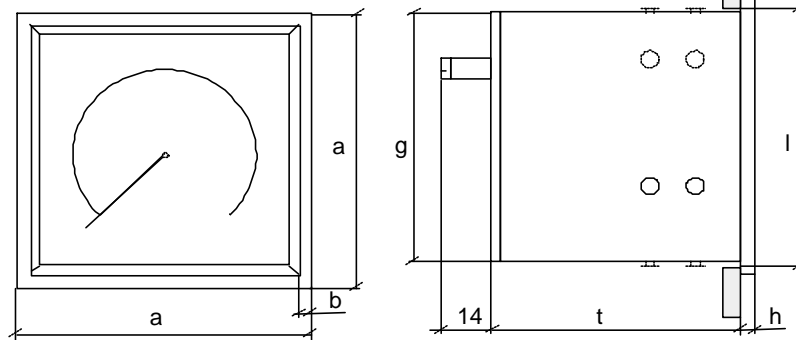
Class 1

EMI

Approval

Type-approved by Germanischer Lloyd

to EN 50081 and 50082



Dimensions

Design	Types	ø a	b	h	ø g	t	ø l	scale length	fixing element	weight
pointer angle 240°	TIMON 2200-72	72	4	5	66	55	62	103	A	0,5
	TIMON 2200-96	96	4	5	90	55	92	155	A	0,45
	TIMON 2200-144	144	5	8	136	56	138	250	A	0,8

Instrument *TIMON 2200-96*^ø and *TIMON 2200-144*^ø are on request also available in EX eG5 to VDE 0175



TILSE Industrie- und Schiffstechnik GmbH

Projektierung - Planung - Technische Vertretungen
Sottorfallee 12 - D-22529 Hamburg

Tel: +49-40-561014 Fax: +49-40-563417

E-Mail: tilse@t-online.de www.tilse.com or: www.tilse.de

agent: